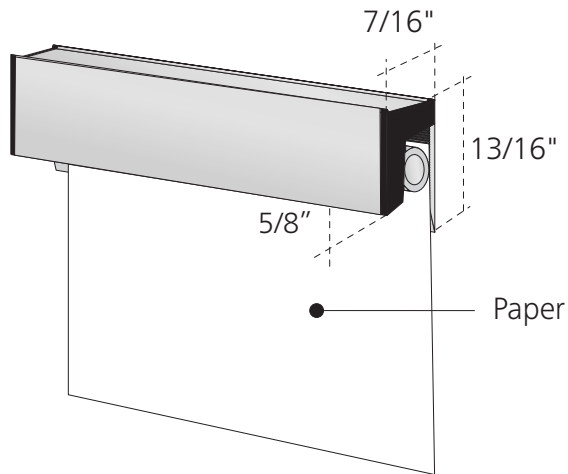


# PAPER HANGER SERIES

## HOW TO OPERATE



To insert the paper, simply slide it up in behind the aluminum rods.

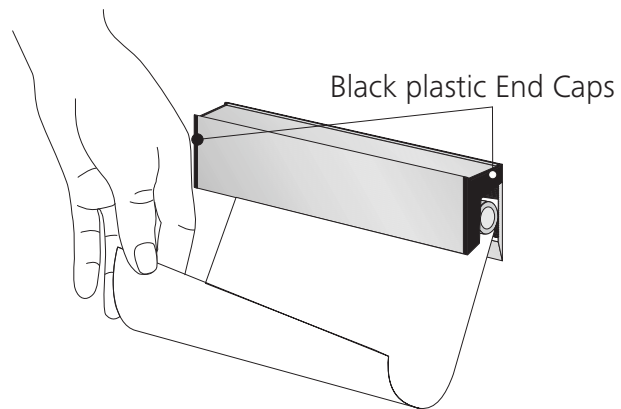
The Paper Hanger is designed to accept only one piece of paper at a time.

## HOW TO REMOVE PAPER

Satin Natural Anodized finish

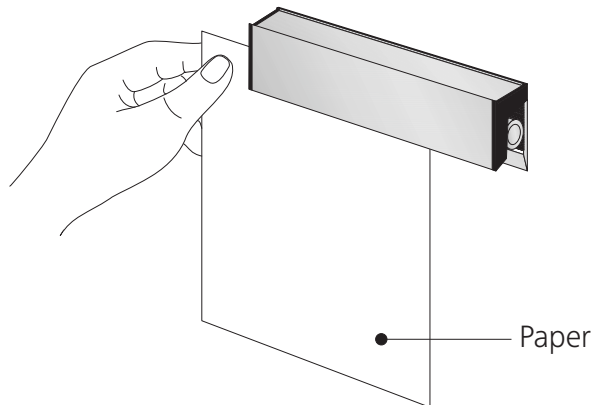
### REMOVAL - OPTION 1

Take bottom of paper and lift up and forward



### REMOVAL - OPTION 2

Take the left or right side of paper and slide it out sideways



## INSTALLATION

The Paper Hanger can be attached directly to a wall or any other flat surface with double stick foam tape.