



Architectural Modular Series - AM Series

Systech Signage Technology

Systech Signage Technology is a well-established company with an international reputation for the manufacture of modular aluminum sign systems. All Systech Signage Technology products are manufactured to the highest standards, with particular attention given to both engineering accuracy and quality control.

The Systech Signage Technology range comprises three main product lines:

The Architectural Modular Series (AM Series)
Outlined in this brochure.

The Modular Window Signs Series & Poster Holder Range

A system accommodating computer generated graphics on paper. (For more information on these products, please contact Systech Signage Technology to request a copy of our brochure.)

The Paper Hanger

A vertical display system based on the gravity principle.

A World of Signage

The Architectural Modular (AM) Series

The AM Series signage system provides a uniquely modular approach to commercial and industrial signage.

This innovative sign system comprises three core components: the Base Plate, the Inserts and the Sidelocks. These may be arranged into a seemingly infinite array of designs with unlimited components, colors, sizes, mounting and graphic options, allowing Architects, Interior Designers and Sign Manufacturers optimal design flexibility. AM Series components can be arranged into precisely the required configuration, producing signage of outstanding elegance, custom designed to suit your signage and graphic needs.

AM Series signage is designed for use in a wide range of commercial and industrial applications including:

- Personnel
- Departmental
- Directional
- Directory
- Identification

The AM Series Advantage

Absolute design flexibility: the AM Series offers total signage development flexibility.

Slim and light construction: light weight and durable aluminum. Slimline design (1/4" in depth).

Simple to install: double sided tape, silicone and or screw fix.

Easy to maintain: the AM Series durable aluminum construction requires no maintenance and is easy to clean.

Cost reduction on signage updates: single inserts can be easily updated without replacing the entire sign, saving re-signage costs.

Security feature: tamper proof locking option is available upon request.

Easy changeover: requires no tools or mechanical devices to change information.

***The Am Series is suitable for internal and external use.**

Personnel Signage



Personnel signage provides a clear visual directory of personnel on a room-by-room, area or level basis. This type of sign typically describes the occupier's name and/or title. A room number, department name or company logo, in/out slider plates, and gravity Paper Hangers are just some of the options that are available with Systech Signage Technology's AM Series.

REF#	SIZE
1 AM 4/3-1DSK	8 x 2 7/16
<i>Desk sign</i>	
2 AM 4/5-1	4 x 4 1/8
3 AM 6/5-2	6 x 4 1/8
4 AM 6/8-6	6 x 6 5/8
5 AM 12/5-30	12 x 4 1/8
6 HW 6112	6 x 9 1/16
<i>AM Series combined with a Bulletin Board</i>	
7 AM 4/5-4	4 x 4 1/8
8 AM 4/3-50	4 x 2 7/16
<i>13/16 slider insert with paper and acetate</i>	
9 AM 6/10-52	6 x 8 1/4
<i>Braille and tactile header. Optional disk and 1/4 inch sidelocks*</i>	
10 AM 4/4-50	4 x 3 1/4
11 AM 4/5-2	4 x 4 1/8
12 AM 8/2-1	8 x 1 5/8
<i>Optional 1/4 inch sidelocks*</i>	
13 AM 8/6-56	8 x 4 15/16
<i>With Paper Hanger</i>	
14 AM 4/2-2	4 x 1 5/8
<i>Optional acrylic footer*</i>	

ALL MEASUREMENTS ARE WIDTH BY HEIGHT IN INCHES

*ALL REFERENCE NUMBERS REFER TO BLANK SIGNS WITH STANDARD SIDELOCKS ONLY. GRAPHICS, COLORS, BACKING PANELS AND 3D ATTACHMENTS ARE NOT INCLUDED

REF#	SIZE
1 AM 16/6-1S/SS	16 x 4 15/16 <i>Single sided suspended sign</i>
2 AM 10/15-3	10 x 12 3/8
3 CWS9	16 x 10 3/4 <i>AM Series combined with a Modular Window Sign</i>
4 AM 20/10-5	20 x 8 1/4
5 AM 8/4-2	8 x 3 1/4 <i>Optional 1/2 inch square cut sidelocks*</i>
6 AM 16/14-5	16 x 11 9/16

ALL MEASUREMENTS ARE WIDTH BY HEIGHT IN INCHES
*ALL REFERENCE NUMBERS REFER TO BLANK SIGNS WITH STANDARD SIDELOCKS ONLY. GRAPHICS, COLORS, BACKING PANELS AND 3D ATTACHMENTS ARE NOT INCLUDED

Departmental Signage

Departmental signs provide important geographical indicators within a building or space, announcing the title or purpose of an area or environment - and are often located at a number of points to aid in wayfinding.





Directional Signage



Directional signs - Whatever the direction; up, down, left or right, AM Series Directional signage provides those crucial indications of direction when in search of an area, department or personnel. Generally all these signs have directional arrows for visual indication.

REF#	SIZE
1	AM 14/18-3 14 x 15
2	AM 10/4-1F/SS 10 x 3 1/4 <i>Flag sign single sided</i>
3	AM 10/3-1 10 x 2 7/16 <i>with 3D arrow*</i>
4	AM 12/30-3 12 x 24 3/4
5	AM 8/10-1 8 x 8 1/4
6	AM 10/12-30 10 x 9 15/16
7	AM 16/17-31 16 x 14 1/16 <i>with 3D logo and brass dividing strip*</i>

ALL MEASUREMENTS ARE WIDTH BY HEIGHT IN INCHES
*ALL REFERENCE NUMBERS REFER TO BLANK SIGNS WITH STANDARD SIDELOCKS ONLY. GRAPHICS, COLORS, BACKING PANELS AND 3D ATTACHMENTS ARE NOT INCLUDED

Directory signage is useful in providing primary information describing an area layout; 'Information Boards' that indicate the total concept of a particular building environment, indicating areas, departments and personnel within that space. The AM Series, designed with custom borders and mounting structures, enhances the form and function of the system.

Directory Signage

1

GVC engineering	
Contact	Ext.
R. Austin	205
T. Francis	210
A. Ganz	206
M. Geoffries	207
D. Laurance	223
S. Lehemm	219
B. Laws	221
J. Santos	201
A. Sampson	220
G. Taylor	204
B. Thomas	217
L. Trent	218
M. Tyson	213
K. Williamson	209

2

BERKELEY PLACE		
Ancor Limited Ashley & Klein Lawyers Avon & Cable	Capitol Growth Inc. Darlington Project Direct Container Line Garland Group Marsden Institute Middleton Architects	Nevison Publications Newport & Associates Rhymes Developments Swiss Insurance Tacit International

3

level 6	Dominion Pacific Fund Managers	121 Columbus Drive
	Hanson & Thomson Project Management	
	Department of Justice & Fair Trading	

4

*St Mary's
Private Hospital*

Reception	Grd
Ward A	Grd
Radiology	1st
P Barnes	
Cardiology	1st
Dr L Jackson	
east wing	
Ward B	E1
Physiotherapy	E1
Dr H Farmer	
Oncology	E2
Dr R Evans	

CODE SIZE

- 1 AM 12/35-33 12 x 28 7/8
- 2 AM 26/4-1 plus AM 8/15-8 x 3#
*Honor board incorporating
4 separate signs 1@ 26 x 3 1/4
and 3@ 8 x 15*
- 3 AM 24/30-32 24 x 24 3/4
*MDF backing panel**
- 4 AM 22/33-8 22 x 27 1/4
*With optional 1/2 inch sidelocks**
- 5 AM 24/14-43 24 x 11 9/16
with custom central divider
- 6 AM 16/33-35 14 x 27 1/4
*Mounted to moveable stand**

ALL MEASUREMENTS ARE WIDTH BY HEIGHT IN INCHES
*ALL REFERENCE NUMBERS REFER TO BLANK SIGNS WITH STANDARD SIDELOCKS ONLY. GRAPHICS, COLORS, BACKING PANELS AND 3D ATTACHMENTS ARE NOT INCLUDED

Accounts
Planning

Design
Engineering

Maintenance

6

5

Airport Directory

<p>Arrivals</p> <p>Departures</p> <p>Check In</p> <p>Bookings</p> <p>Parking</p> <p>Taxis</p> <p>Shops</p>	<p>Car Rental</p> <p>Administration</p> <p>Long Term Parking</p> <p>Flight Catering</p> <p>Maintenance</p> <p>Deliveries</p> <p>Air Mail</p>
--	--



Identification Signage

Identification Signage is typically used to either make a statement (for example, announcing safety requirements within the area) or to identify a fixed area of usage. More static in nature than other sign types, this type of signage is most commonly used for essential services and emergency or facility applications. Systech Signage Technology's AM Series is also suitable for use in these permanent signage applications, ensuring complete style continuity within any signage project.

REF#	SIZE
1 AM 6/8-50	6 x 6 5/8
2 AM 8/10-1 5/8	8 x 8 1/4
<i>Combined information sign</i>	
3 AM 6/7-6	6 x 5 3/4
4 AM 12/6-1	12 x 4 15/16
5 AM 16/3-1	16 x 2 7/16
AM 6/1-51	6 x 13/16
<i>Custom signs with slider inserts and 3D letter attached*</i>	
6 AM 4/2-1	4 x 1 5/8
7 AM 10/13-3	10 x 10 3/4
8 AM 4/5-1	4 x 4 1/8
<i>Mounted onto frosted glass sheet 8 x 8 with vinyl graphics*</i>	

ALL MEASUREMENTS ARE WIDTH BY HEIGHT IN INCHES

*ALL REFERENCE NUMBERS REFER TO BLANK SIGNS WITH STANDARD SIDELOCKS ONLY. GRAPHICS, COLORS, BACKING PANELS AND 3D ATTACHMENTS ARE NOT INCLUDED



SIZE CHART – Architectural Modular (AM) Series

WIDTH inches (excluding sidelocks*)																			Up to 74" Approx				
2 1/16	4 1/8	6 3/16	8 1/4	10 5/16	12 3/8	14 7/16	16 1/2	18 9/16	20 5/8	22 11/16	24 3/4	26 13/16	28 7/8	30 15/16	33	35 1/16	37 3/16	39 1/4	41 5/16	43 3/8	45 1/2	47 9/16	49 5/8

HEIGHT	
Tracks	Inches
1	1 13/16
2	1 5/8
3	2 7/16
4	3 1/4
5	4 1/8
6	4 15/16
7	5 3/4
8	6 5/8
9	7 7/16
10	8 1/4
11	9 1/16
12	9 15/16
13	10 3/4
14	11 9/16
15	12 3/8
16	13 3/16
17	14 1/16
18	15
19	15 13/16
20	16 1/2
21	17 7/16
22	18 1/4
23	19 1/16
24	19 13/16
25	20 5/8
26	21 1/2
27	22 3/16
28	23 1/8
29	23 15/16
30	24 3/4
31	25 5/8
32	26 7/16
33	27 1/4
34	28 1/8
35	28 7/8
36	29 3/4
37	30 7/16
38	31 3/8
39	32 3/16
40	33
41	33 13/16
42	34 3/4
43	35 7/16
44	36 3/8
45	37 3/16
46	38 1/16
47	38 7/8
48	39 11/16
49	40 1/2
50	41 9/16
51	42 1/8
52	43
53	43 13/16
54	44 3/8
55	45 1/2
56	46 1/4
57	47 1/8
58	47 15/16
59	48 3/4
60	49 5/8
61	50 7/16
62	51 1/4
63	52 1/16
64	52 7/8
65	53 3/4
66	54 9/16
67	55 3/8
68	56 1/4
69	57 1/16
70	58 3/8

Height in tracks and inches

***Sidelocks are additional to insert width measurements**

As easy as one, two, three...

Architectural Modular (AM) Series

Systech Signage Technology's ingenious AM Series consists of three main components, The Base Plate, The Inserts and The Sidelocks.

AM Series Components

Base Plate

The Base Plate is an aluminum extrusion providing a single or multiple array of 13/16" high tracks, up to a maximum height of 4 15/16" (six tracks). For signs higher than 4 15/16", multiple Base Plates are used; these are precision assembled in-house by Systech Signage Technology to the required height. For base widths and heights, please refer to the size chart on this page.

Inserts

The Inserts slide onto the tracks of the Base Plate and provide the foundation for the sign's final colors and graphic information.

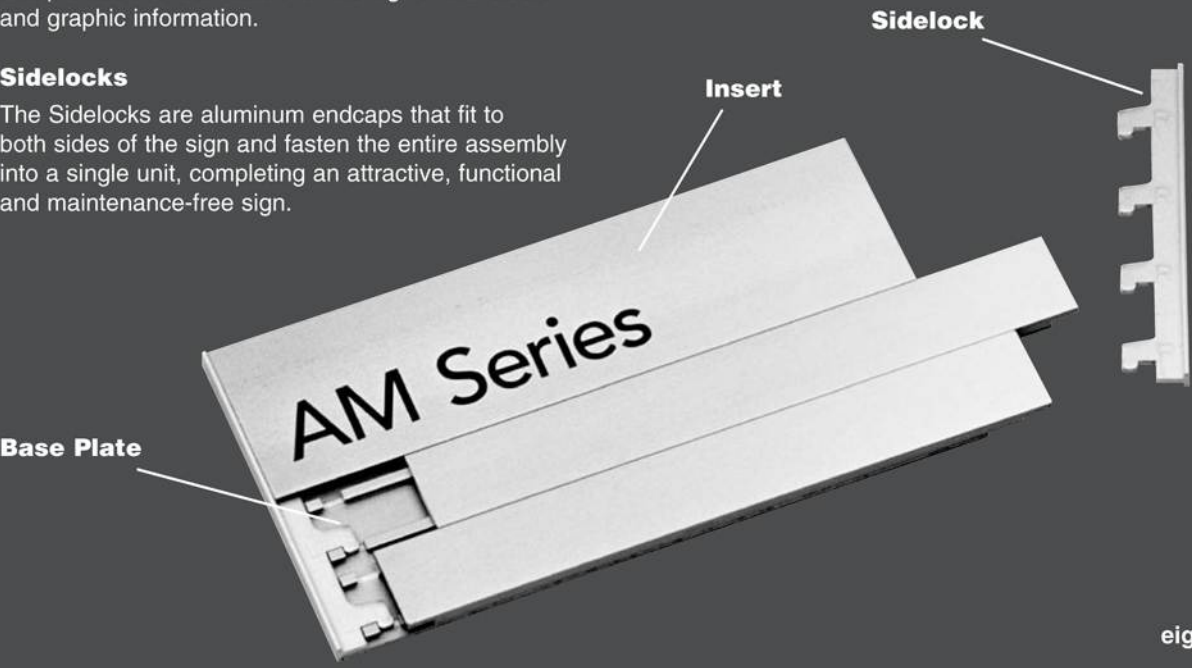
Sidelocks

The Sidelocks are aluminum endcaps that fit to both sides of the sign and fasten the entire assembly into a single unit, completing an attractive, functional and maintenance-free sign.

Absolute Product Quality

Systech Signage Technology enjoys an enviable global reputation for the exceptional quality of its signage products. In keeping with this standard, the AM Series has been developed to meet the highest specifications at a realistic cost. Premium quality materials are used in the manufacture of each unit to ensure optimal performance over an extended period of time. Whilst quality is of paramount importance at Systech Signage Technology, we believe our customers need choices. For this reason, we offer an extensive range of product sizes, materials, finishes and formats, each specifically tailored to meet the needs of the customer.

Systech Signage Technology is committed to the continued development and support of the AM Series and indeed all other products in the Systech range.

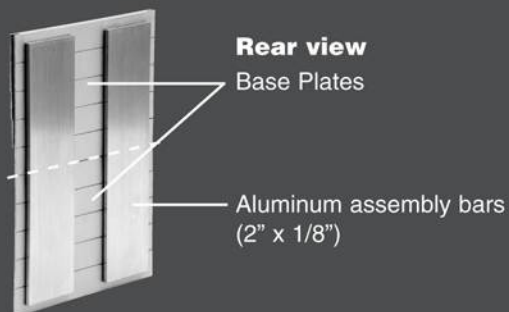


Component One - Base Assembly

Signs higher than 4' 15/16" require Systech factory assembly. Two options are available.

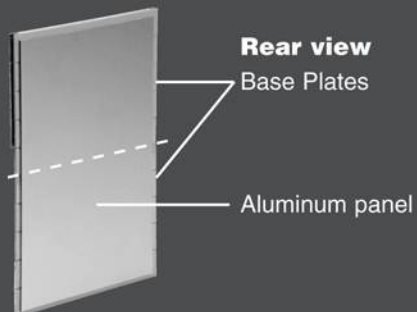
Standard assembly

Aluminum assembly bars are used to join Base Plates, holding them firmly in place. Two or more assembly bars may be used depending on the width of the sign.



Special assembly

An aluminum panel is used in place of assembly bars for signs that are visible on the reverse side, or require slim mounting, eg. single-sided suspended, flag signs, glass mounted, free standing signs and so on.

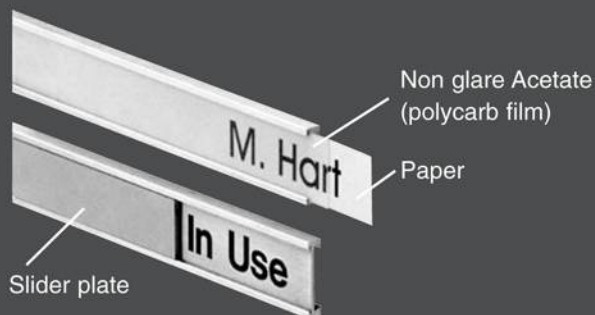


Component Two - Inserts

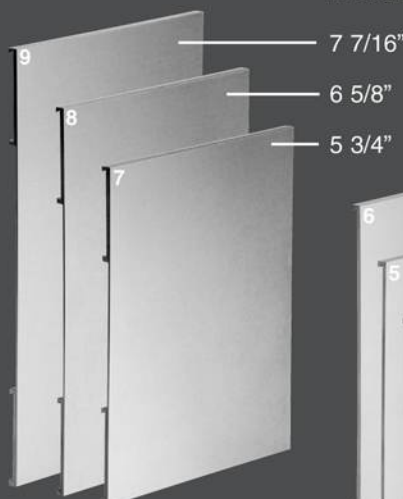
Aluminum inserts start at 13/16" high and increase in increments of 13/16" (13/16, 1 5/8, 2 7/16 etc.) to any height. Inserts higher than 4 15/16" require factory assembly and are referred to as 'Panel Inserts'.

13/16" (1.1) and 1 5/8" (2.1) Inserts are also available as 'slider inserts'. These permit the use of paper and/or acetate. Alternatively slider plates can be used to cover or expose a message eg. Vacant/In Use, Open/Closed.

Slider Insert

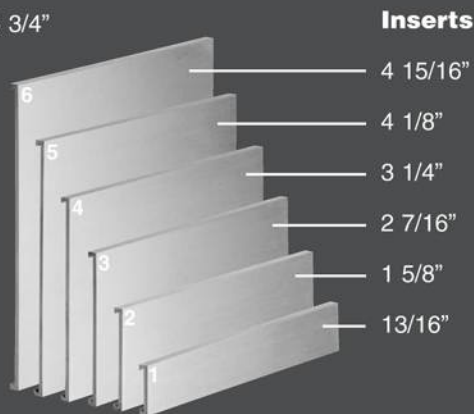


Slider Inserts



Panel Inserts

For any insert size over 4 15/16", panel inserts are used. These must be a multiple of 13/16" H in order to fit base plates.

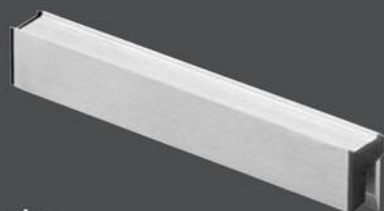


Paper Hanger

Based on the 'gravity principle', the Paper Hanger provides a unique and practical means of displaying frequently changed paper notices, charts, maps, display forms and so on.

The Systech Signage Technology Paper Hanger can be used in isolation, or coupled to the AM Sign Series via a 13/16" insert. Available in widths to 6' 2".

Paper Hanger attached to an AM Series sign Braille and Tactile Compliant



nine

Component Three - Sidelocks

The unique AM Series Sidelock system provides a quick and effective means of fastening the Inserts and Base Plates together as a complete sign. Simple to use, the AM Series sidelock system is available in a range of widths and end finish profiles.

- All complete signs include standard Sidelocks.
- 1/4" and 1/2" options must be specified.
- Optional Tamper Proof version available.

*** SIDELOCKS ARE ADDITIONAL TO INSERT WIDTH MEASUREMENTS.**



Standard Sidelock 1/16" are included in all complete signs
(Sidelocks add 1/8" to overall width of sign)



1/4" Square cut
(Sidelocks add 1/2" to overall width of sign)



1/4" Radius



1/2" Square cut
(Sidelocks add 1" to overall width of sign)



1/2" Radius

Finishes and Mounts

The AM Series offers designers the widest imaginable selection of sign mounting and installation options, graphic and text formats, and of course colours and finishes.

Mounting Applications

- Standard: wall/door mounted
- Frame or stand
- Glass mounted
- Flag mount
- Desktop stand
- Suspended
- Workstation bracket

Installation Methods

- Concealed screw fixing
- Double-sided tape
- Silicone
- Velcro
- Z-bracket
- Hinged

Graphics and Text

- Vinyl cut graphics
- Braille and tactile graphics
- Silkscreen printing
- Engraving
- 3D lettering

Colors and Finishes

The AM Series is available in a range of painted and anodized colors and finishes. Our standard finish is Satin Natural Anodized aluminum. Other anodized finishes are available. (See below). The system can also be painted to your specifications. Please provide codes from the Pantone range or other popular color systems. Acrylic paints are recommended.



ANODIZED COLORS

Satin Natural
Brushed matte finish



Painted Finish
*Single pack or two pack
Specify your PMS colour*



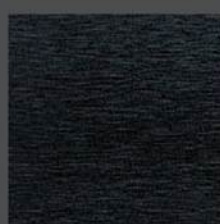
New York Finish - Natural
Brushed stainless steel look



Satin Gold
Brushed matte finish



Mill Finish
*Raw finish recommended
for painting*



Satin Black
Brushed matte finish

Printed colors and finishes are representations only, intended to give a general simulation of actual materials.

For further technical information please contact Systech Signage Technology.

CONTACT DETAILS:

Systech Signage Technology

Telephone 1 800 807 1931

Facsimile 1 800 871 1346

Email info@systech-signage.com

Please contact us for technical information
or your nearest distributor.

Distribution

United States Nationwide, Asia, Australia, United Arab
Emirates.

SYS · T E C H

S I G N A G E T E C H N O L O G Y

www.systech-signage.com

© COPYRIGHT SYSTECH SIGNAGE TECHNOLOGY - 2000