

DIRECTORY

Company	Suite
AGS Instruments	1
Tolland Consultants	2
Goodwen Medical Supplies	3 -
Peter Jones and Associates	5
Hargrave Accountants	6
Bell and Cole Design	7
Regal Media Group	8

Magnetic Sign Series

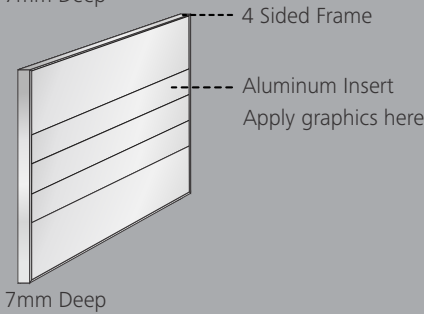
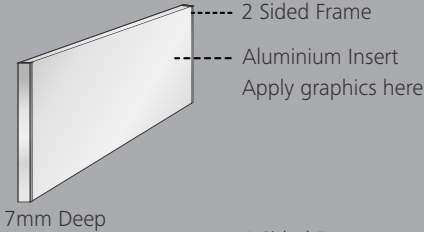
MAGNETIC SIGN SERIES

The Magnetic Sign Series is a slimline interchangeable sign system. The changeable aluminium Inserts or Panels can be easily removed and replaced as needed.

Single or multiple Insert signs are possible.

Apply your graphics directly to the face of the removable aluminium Inserts or Panels.

The Inserts and Panels can be removed from the frame quickly and simply using the custom Insert Removal Tool.



FINISH

- Frame - Standard finish is satin natural anodised aluminium
- Insert / Insert Panel - Standard finish is satin natural anodised aluminium.

INSTALLATION

- Wall Mount
- Door Mount
- Workstation Mount
- Desk Stand
- Suspended
- Flag Mount / Projecting

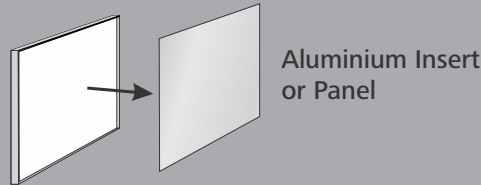
The Magnetic Signs can be attached to a flat substrate with:

- Double Sided Tape (and Silicone if required)
- Concealed screw fixing for larger units

HOW TO OPERATE

Simply insert the custom Insert Removal Tool in between the side frame and the Insert. Then lever the insert out of the frame. The Insert / Panel will release from the frame.

To replace, just slip it back into position.



SIZES

The Magnetic Sign Series is flexible in its design, thus offering many sizes and layouts.

2 Sided Frame Sign:

For Signs up to and including 126mm High
Options include standard Insert sizes:
21mm, 42mm, 63mm, 84mm, 105mm, 126mm,

4 Sided Frame Sign:

For signs 126mm and higher, we offer an infinite array of aluminium panel insert height options, please contact us with your desired layout.

Insert and Panel Widths:

We recommend the following widths:
100mm, 200mm, 300mm, 400mm 500mm, 600mm, 700mm, 800mm, 900mm, 1000mm, 1100mm, 1200mm,
Widths outside the above dimensions are possible

Please nominate the size you require.

POSSIBLE USES

- Door Signs
- Personnel Signs
- Graphic Information
- Room ID
- Wayfinding
- Department ID

Front Opening Unit →

Remove the Insert with the custom Insert Removal Tool



CONTACT DETAILS

S2K Identity Systems
9 Lennox Street, Moorabbin, Victoria, Australia 3189
T. 613 9555 7473 F. 613 9555 7579
E. info@s2k.com.au W. www.s2k.com.au

S2K
IDENTITY SYSTEMS