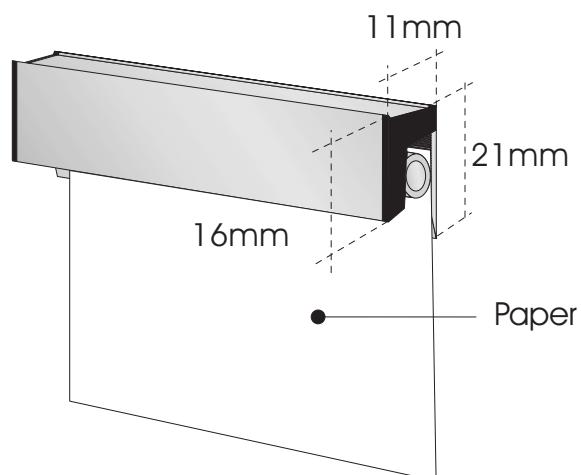


PAPER HANGER SERIES

How To Operate

Registered Design



HOW TO OPERATE

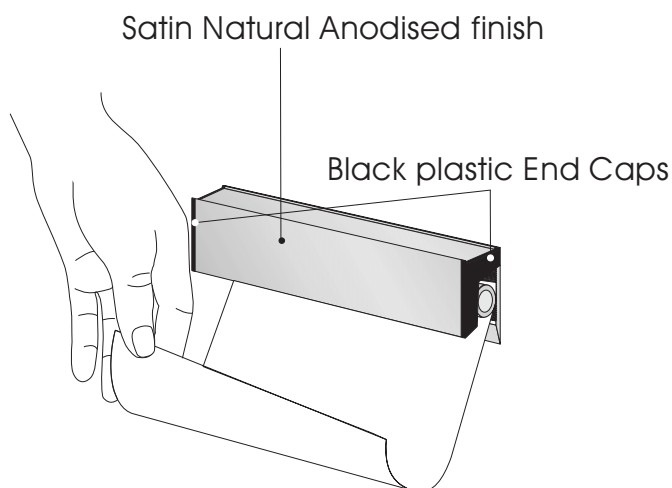
To insert the paper, simply slide it up in behind the aluminium rods.

The Paper Hanger is designed to accept only one piece of paper at a time.

HOW TO REMOVE PAPER

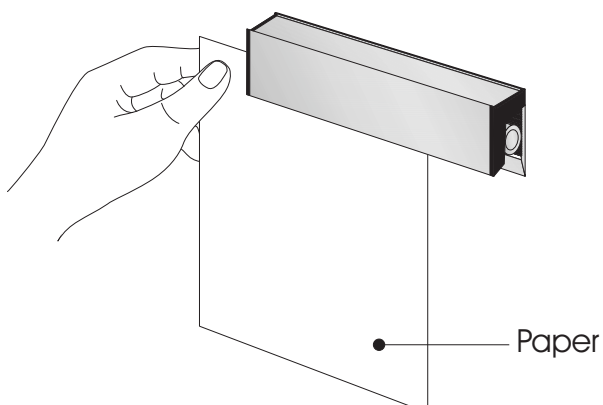
REMOVAL - OPTION 1

Take bottom of paper and lift up and forward



REMOVAL - OPTION 2

Take the left or right side of paper and slide it out sideways



INSTALLATION

The Paper Hanger can be attached directly to a wall or any other flat surface with double sided foam tape.