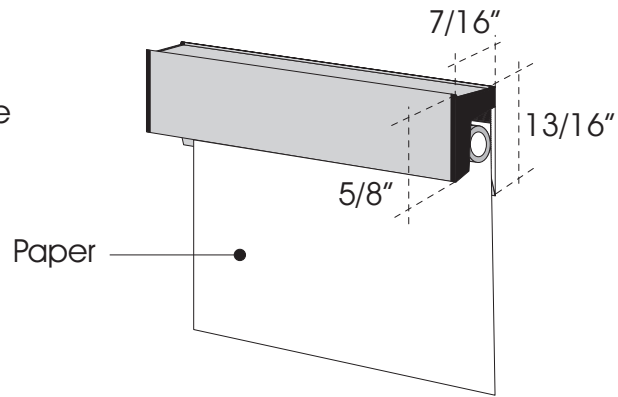


# PAPER HANGER SERIES

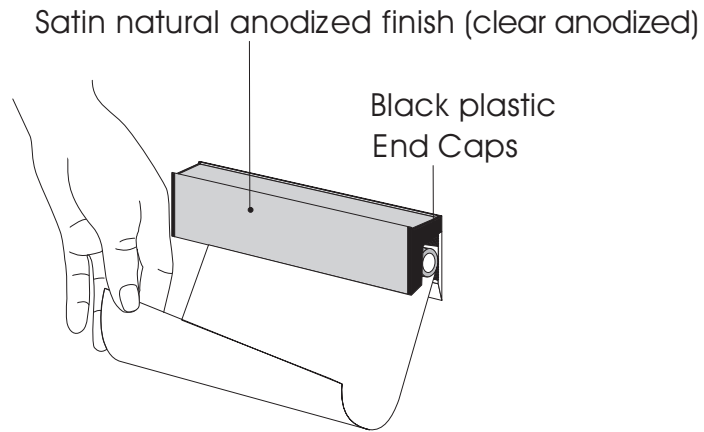
## How it works

Insert the paper behind the aluminum rods.



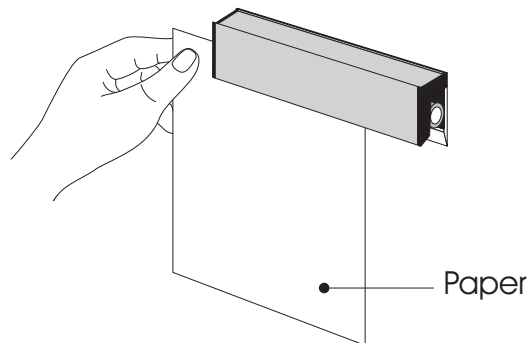
### REMOVAL - OPTION 1

Take bottom of paper and lift up and forward.



### REMOVAL - OPTION 2

Take the left or right side of paper and slide it out sideways.



### NOTE:

Paper Hangers can be mounted to a 13/16" High AM Series Insert or directly onto the wall or flat substrate using double stick foam tape.

Maximum length available 74"